

## AC Surge protective device for low-voltage distribution system

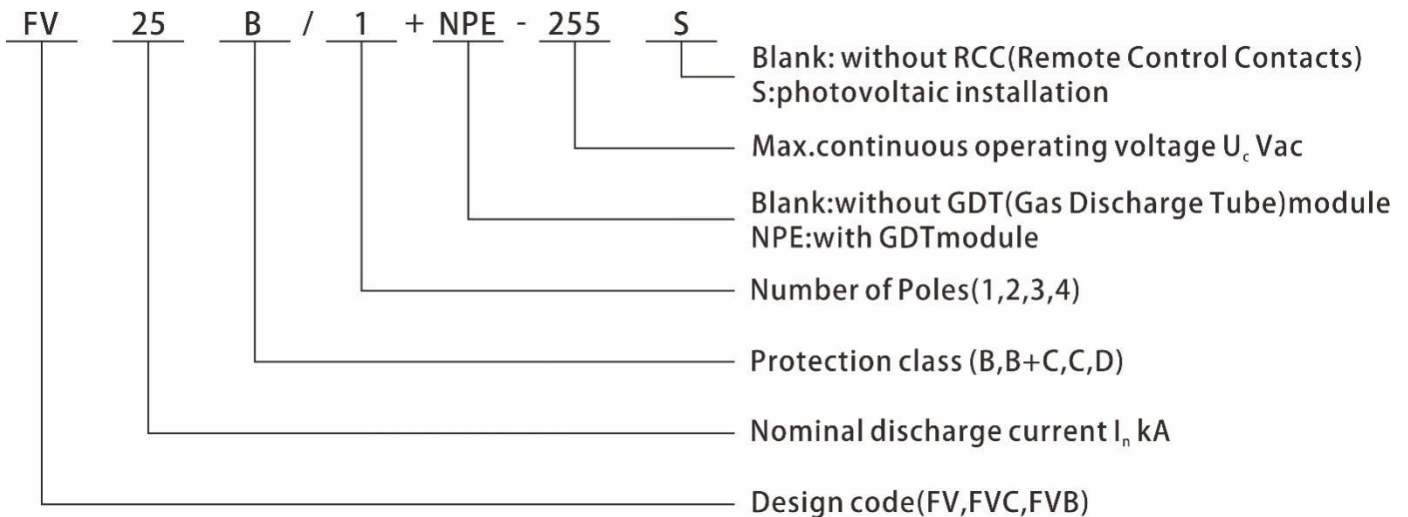
Version:B-3

Model No.: FV25B/1+NPE-255S

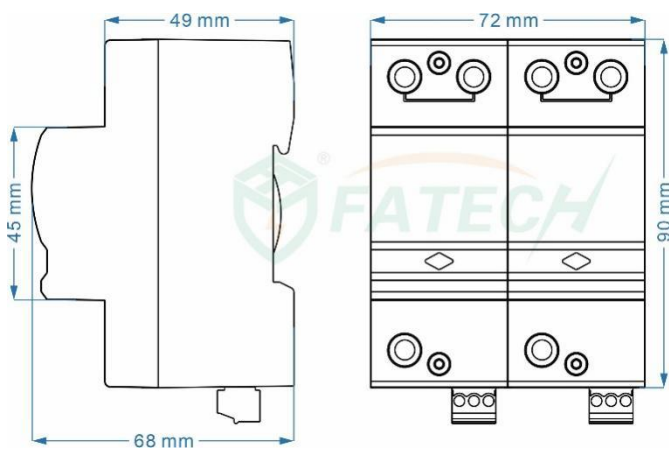


- Type 1+2 25kA@10/350 $\mu$ s 1 phase lightning arrester.
- With indication window and remote control contacts.
- Unique designing, patent technology.
- Used in the lightning protection zones concept at boundary LPZ0B-LPZ1.
- The core parts are multilayer spark gap with high discharge capacity.
- Low residual voltage.
- Protection mode: L-N , N-PE

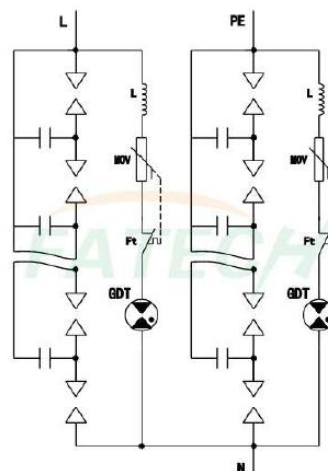
### 1.Coding



### 2. Dimension



### 3. Circuit



## FATECH ELECTRONIC (FOSHAN) CO., LTD.

Add: Bldg D7, Guangdong New Light Production Base, Luocun, Shishan Town, Nanhai District, Foshan City, Guangdong China.

Tel: +86 757 86718031 Fax: +86 757 83557686

Web: [www.fatech-surge-protection.com](http://www.fatech-surge-protection.com), [www.fatech-spd.cn](http://www.fatech-spd.cn)

Email: [sales@fatech-surge-protection.com](mailto:sales@fatech-surge-protection.com), [sales@fatech-spd.cn](mailto:sales@fatech-spd.cn)

#### 4. Electrical parameters

Model. No.	FV25B/1+NPE-255S
SPD protection conforms to IEC 61643-11 / EN 61643-11	Type 1+2
SPD installation type conforms to IEC 61643-11 / EN 61643-11	Class I+II
Protection level conforms to DIN VDE0675-6	B+C
Type of Network	TT
Protection mode	L-N , N-PE
Nominal Voltage $U_N$	230 Vac/50(60)Hz
Maximum continuous operating voltage $U_C$	255 Vac/50(60)Hz
Continuous operating current $I_C$	<20 $\mu$ A
Residual current $I_{PE}$	$\leq$ 20 $\mu$ A dc $\leq$ 500 $\mu$ A ac
Standby power consumption $P_C$	$\leq$ 25 mVA
Nominal discharge current (8/20 $\mu$ s) [L-N]/[N-PE] $I_n$	$\geq$ 25/50 kA
Impulse discharge current (10/350 $\mu$ s) [L-N]/[N-PE] $I_{imp}$	$\geq$ 25/50 kA
Voltage protection level $U_p$	$\leq$ 1.5 kV
Isolation resistance $R_{isol}$	> 1000 M $\Omega$
Response time $t_A$	$\leq$ 100 ns
Follow up current extinguishing capability [L-N]/[N-PE]	$\geq$ 25 kArms / 100 Arms
Let-Through-Energy in combination with an MOV S20K275 limp 0÷25kA(10/350 $\mu$ s)	$\leq$ 151 Jouls
Temporary overvoltage (TOV)	$\geq$ 440 Vac/120 min
Remote control contact	YES
Disconnection indicator	Mechanical indicator (Green: OK, Red: Replace)
Minimum area of connecting cable	16 mm <sup>2</sup>
Maximum area of connecting cable	35 mm <sup>2</sup>
Installation location	Inside
Mounting type	35mm DIN rail acc. to EN 60715
Color	Gray
Degree of protection	IP20
Housing material	UL94V-0
Ambient temperature	-40°C ~+80°C
Altitude	$\leq$ 2000 m (amsl (above mean sea level))
Permissible humidity	30%~90%

#### FATECH ELECTRONIC (FOSHAN) CO., LTD.

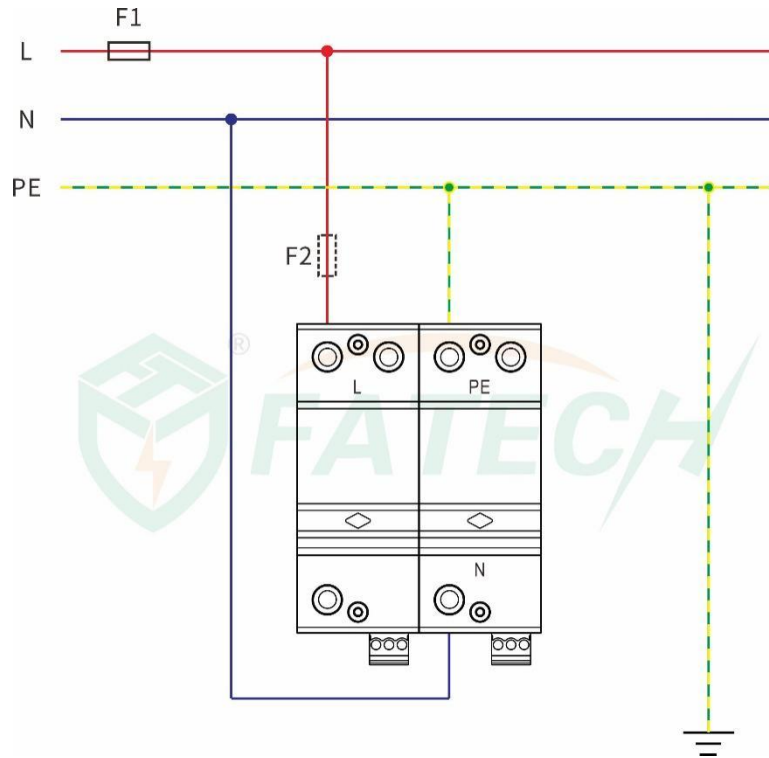
Add: Bldg D7, Guangdong New Light Production Base, Luocun, Shishan Town, Nanhai District, Foshan City, Guangdong China.

Tel: +86 757 86718031 Fax: +86 757 83557686

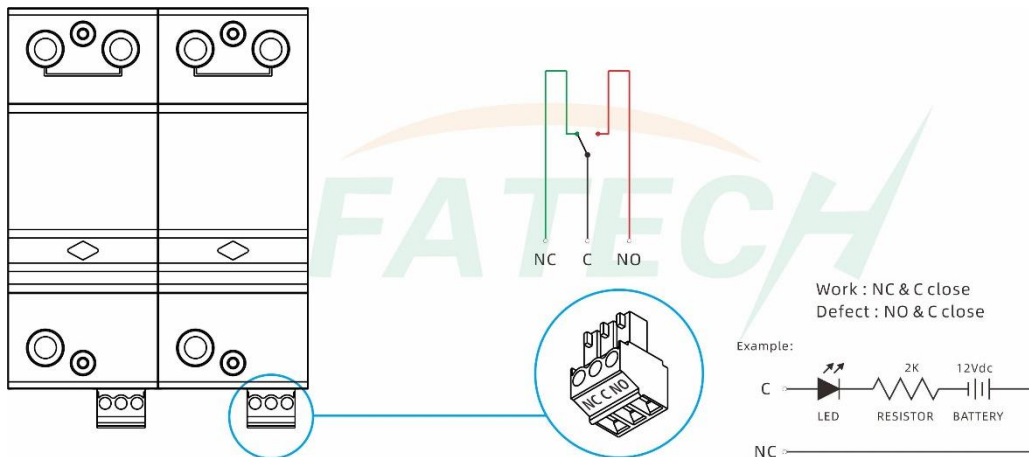
Web: [www.fatech-surge-protection.com](http://www.fatech-surge-protection.com), [www.fatech-spd.cn](http://www.fatech-spd.cn)

Email: [sales@fatech-surge-protection.com](mailto:sales@fatech-surge-protection.com), [sales@fatech-spd.cn](mailto:sales@fatech-spd.cn)

## 5. Installation



$F1 > 315\text{AgL/gG} \rightarrow F2 = 315\text{AgL/gG}$   
 $F1 \leq 315\text{AgL/gG} \rightarrow \text{Ø}$



## FATECH ELECTRONIC (FOSHAN) CO., LTD.

Add: Bldg D7, Guangdong New Light Production Base, Luocun, Shishan Town, Nanhai District, Foshan City, Guangdong China.

Tel: +86 757 86718031 Fax: +86 757 83557686

Web: [www.fatech-surge-protection.com](http://www.fatech-surge-protection.com), [www.fatech-spdcn.com](http://www.fatech-spdcn.com)

Email: [sales@fatech-surge-protection.com](mailto:sales@fatech-surge-protection.com), [sales@fatech-spdcn.com](mailto:sales@fatech-spdcn.com)